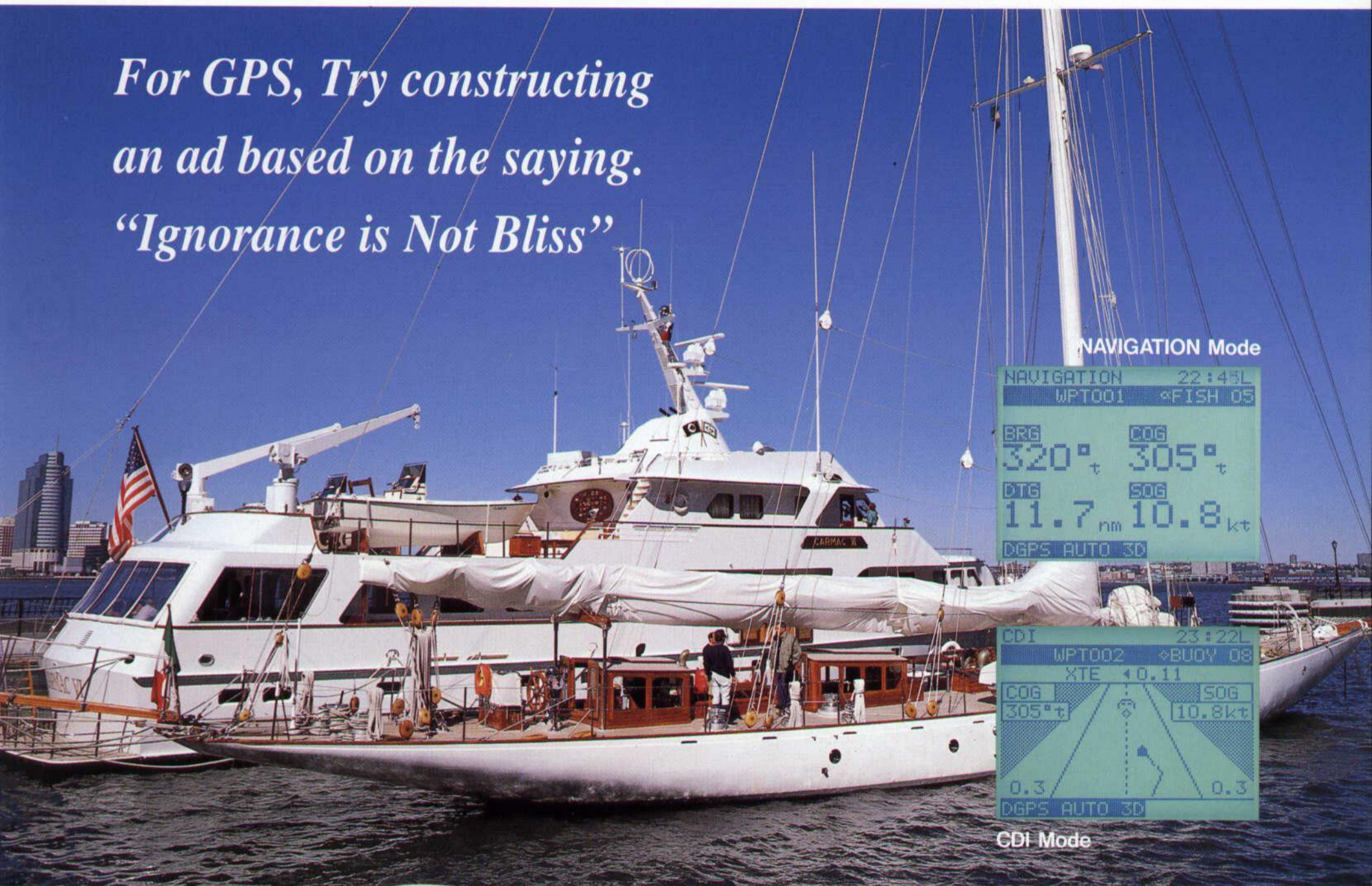


JRC GPS / DGPS DISPLAY

J-NAV 500

*For GPS, Try constructing
an ad based on the saying.
“Ignorance is Not Bliss”*



- GPS sensor GPS 100 or DGPS sensor DGPS 200 can be connected.
- Large LCD display to provide many graphical modes (CDI mode, PLOT mode, etc).
- Up to 20 routes and 499 waypoints are easily stored.



TEL:020-84878734

FAX:020-84870714

Mount the J-NAV 500 display unit anywhere you want because it's totally splashproof.

Connect the optional GPS 100 GPS Sensor or DGPS 200 DGPS Sensor and it continuously tracks 8 satellites to give you an instant and accurate GPS position. Select a NAV, CDI, position or plotting screen 1/8 to 100nm scale and easily customize the display to show the information you need.

With DGPS200 DGPS Sensor, your fixes will always be accurate within 15 feet(5meters).

20 routes and 499 waypoints can be stored in the J-NAV500. Scroll through them numerically or alphabetically.

SPECIFICATIONS

1.1 General

Display Type	STN LCD, 128×100 dots
Display Size	79×61mm
LCD Contrast	Set by Temperature sensor and manual.
Back lighting	EL for LCD and LED for keyboard.
Dimmer	High-Low via keyboard.
Magnetic Variation	Automatic with year table and Manual
Geodetic Database	46 Geodetic datum.
Position Correction	By Geodetic datum or manual L/L entry
Waypoint Entry	Lat/Lon, TD and Bearing/Range
Waypoint Memories	a) 499 with up to 8 character alphanumeric designation. b) Selectable memory location. c) Scrolling waypoint list d) Sort waypoint(alphabetically, or numerically)
Event Marks	499 Maximum(include waypoints); Save to next available waypoint memory with date stamp.
Selectable Units	NM/KT, SM/MPH, KM/KPH
Route Plan	20 plans 200 Waypoints maximum.
Plot function	1/8 NM to 100 NM.
Alarm	Waypoint Arrival, Cross Track Error, or Anchor Watch by selected distance, no fix.
Mode display	D-GPS mode, and GPS position display.
Data input	From other equipments in NMEA(WPL, RTE).
Data Output	Single output port. NMEA 0183(Version 1.5/2.1 selectable) GGA, VTG, APB, BWC, GGA, RMC, and RMB sentences.
Averaging	1 to 99 sec. settable
Memory Backup	Lithium battery.
Power Requirements	10.8-16 VDC, less than 4 W(without GPS receiver)

Special Modes

- a) Man Overboard(MOB).
- b) Simulator built-in
- c) Multi-language: English, German, Norwegian, French, Spanish, Italy and Japanese.
- d) B/R calculation between any two waypoint.
- e) DGPS alarm.

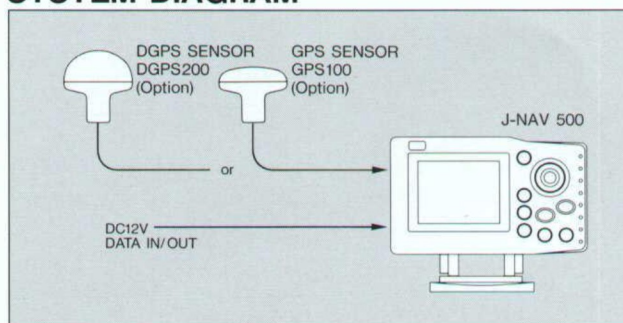
1.2 Display Data

Lat. and Long.	N or S+7 digits, .001min E or W+8 digits, .001min
LORAN C time difference	6 digits respectively 0.1μsec.
Antenna Height	4 digits; 1 meter resolution
Time to Go	4 digits; max 99:59
Speed & Course	To 0.1 kt or 0.1km/h resolution.
Cross Track Error	Graphic and direction indicator.
Time	Date and time in Local or UTC.
Receiving Signal Status	GPS Satellite signals and beacon signal
Offline CC	Lat/Lon and converted TD.
Bearing	3 digits, 1 degree resolution.
Range	4 digits, 0.01 NM resolution.

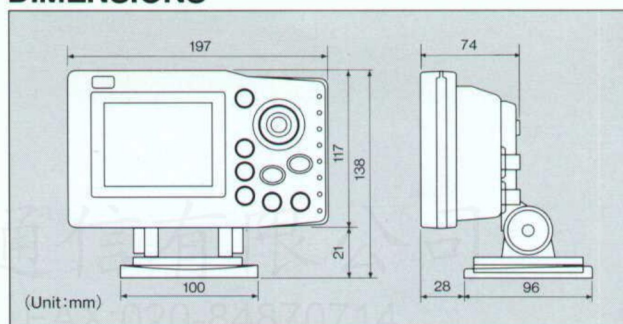
1.3 Physical and Environmental

Operating Temperature	-15°C to +15°C
Water Proof	JIS IPX5
Dimensions/Weight	(H)138×(W)197×(D)124mm/0.9kg

SYSTEM DIAGRAM



DIMENSIONS



● Specifications subject to change without notice. For further information, contact:

Guangzhou Faraway Marine Communication Co.,Ltd.

Add. : 1st Floor, No.47 Eastern Great Street, Shaxu, Shiqiao, Panyu, Guangzhou, China
Tel: 0086-20-34615860
Fax: 0086-20-34629455
http://www.yymarine.com
E-mail : gzfaraway@163.com

JRC Japan Radio Co., Ltd.

Since 1915 JRC Homepage <http://www.jrc.co.jp/>
Main Office: Akasaka Twin Tower(Main), 17-22, Akasaka 2-chome, Minato-ku, Tokyo 107-8432, JAPAN
Telephone: Tokyo(03)3584-8833
Facsimile: Tokyo(03)3584-8757
Telex: 2425420 JRCTOK J Cable: JAPANRADIO TOKYO
Overseas Branches : Seattle, London
Liaison Offices : Kaohsiung, Manila, Bangkok, Singapore, Jakarta, New Delhi, New York, Rotterdam, Piraeus, Las Palmas



ISO 9001

Certificate No. JQA-0591

Certificate No. FM 30249



18EM